

MFP8 connectors



Data center



Industrial
Internet of
Things



Video
surveillance



Wi-Fi
access points

SIMPLER ALL OVER.
SIMPLER ALL ROUND.

Field assembly RJ45 connector series for home networks,
industry and data center

LESS TIME AND EFFORT. MORE FLEXIBILITY.

An existing network needs to be extended. A cable needs to be repaired or replaced. An end device needs to be connected quickly. There is not enough space for an outlet or it is not an option for security or aesthetic reasons.

With the RJ45 plugs of the MFP8 series, installers and network professionals can quickly and flexibly respond even to short-term requirements. Excess cable length and the space problems it causes are a thing of the past. Connections can be set up with centimetre precision both quickly and cost-effectively – without the need for special tools.

The MFP8 connector series is the ideal solution for all applications with transmission rates up to 40 Gigabit Ethernet. In just 60 seconds, they can be connected to all common cable types without special tools. Whether in the office or in the data center, in industry, in security technology or in home networks: the MFP8 offers maximum flexibility for minimal effort.



Data center



Industrial Internet of Things



Video surveillance



Wi-Fi access points



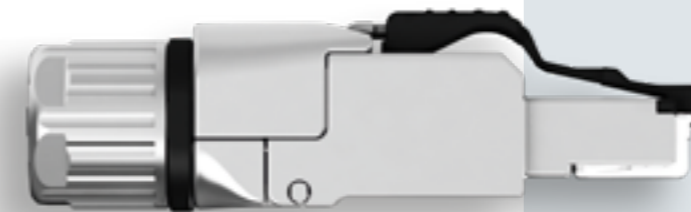
MFP8-SL Cat.6_A – The short one
RJ45 connector with an extremely short length.

Ideal for applications where space is critical, e.g. for installation in devices.



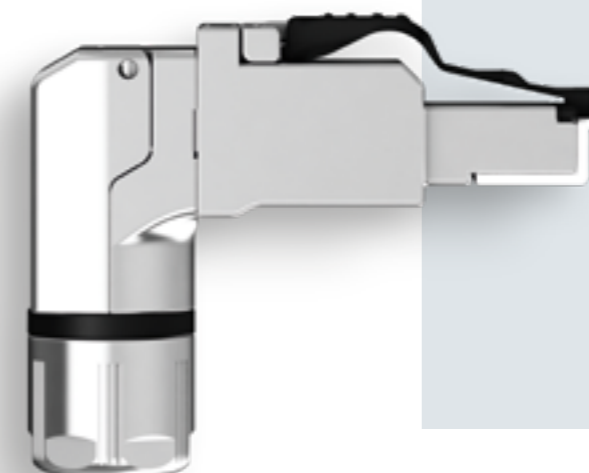
MFP8 Cat.6_A – The classic
RJ45 connector with full metal housing and four-step cable relief.

Ideal for office, data center and residential cabling.



MFP8 IE Cat.6_A – The industrial one
RJ45 connector with full metal cable strain relief for cable diameters up to 10 mm.

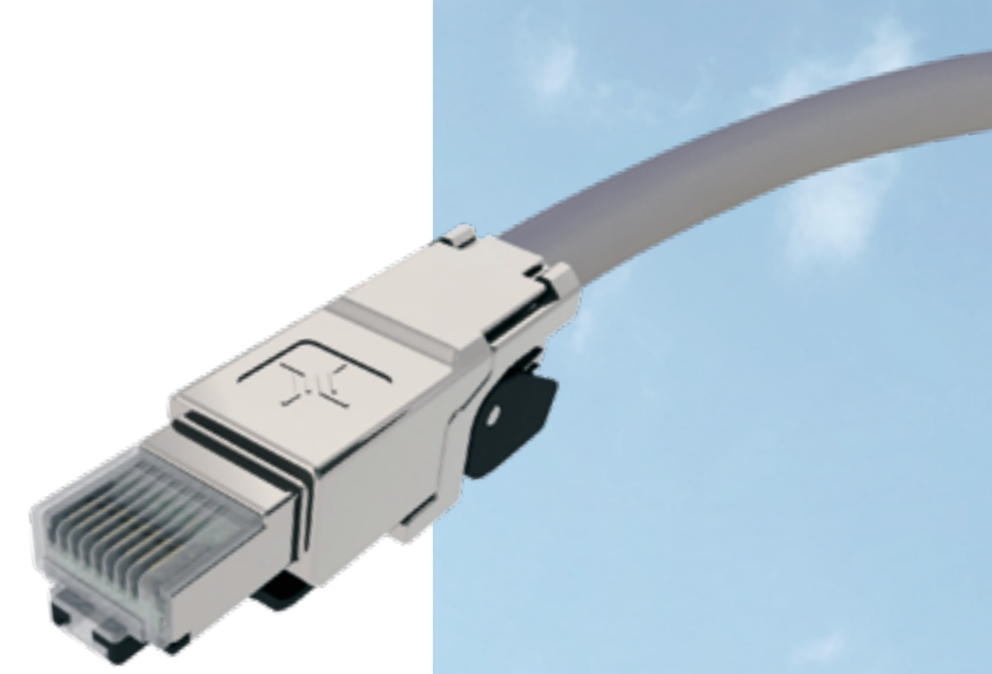
Ideal for assembling industrial installation and patch cords.



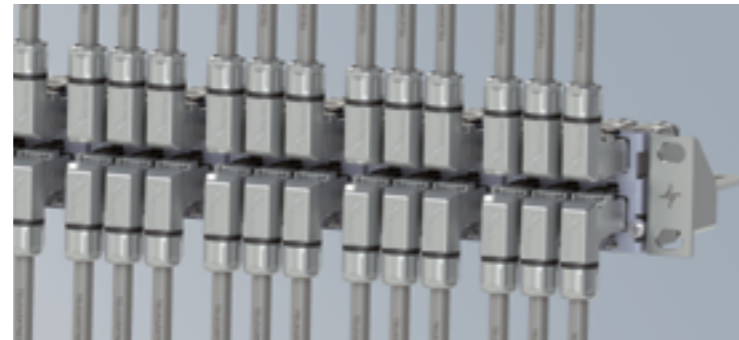
MFP8-4x90 Cat.6_A – The flexible one
RJ45 connector with angled housing and variable cable entry at right angles from four directions.

Ideal for special installation situations such as 19" patch panel.

SIMPLER ALL OVER: MFP8 APPLICATIONS



01



Cabling when space is limited

Whether it's an office building, building services or apartment, there is often simply not enough space for organized cable management. The MFP8 4x90 solves this problem, because the cable outlet can be flexibly selected on site in 90° steps to the top, bottom, right or left, so that the connected cable can be optimally directed. In the distributor, at the consolidation point or at the device connection: The MFP8 4x90 makes it possible to comply with the specified bending radius in every application.

02



Industrial cabling (IP20)

Industrial networks require heavy-duty, reliable cabling components. The MFP8 RJ45 connector's slim design allows high packing density on the Din rail and in compact switches. The exceptionally sturdy screwed cable outlet is even compatible with thick and rigid cables. The proven IDC connection make it possible to connect wires with solid and flexible conductors securely.

03



IP video surveillance, security and Wi-Fi access points

Outlets and patch cords are not desirable in many applications for security or aesthetic reasons, although a wireless connection is not practical either. The MFP8 and MFP8-SL can connect IP cameras, security devices, Wi-Fi access points and distributed antenna systems to the installation cable elegantly and protect them against manipulation.

THE SOPHISTICATION IS IN THE DETAILS.

Reliable data transmission even with outside electrical interference due to **360° shielding**

The contacts are protected from dirt and damage in transit, even during cable assembly, by the **pre-assembled protection cap**

Universal due to the **standardised connector interface** compliant with IEC 60603-7-51

The **heavy-duty die-cast zinc housing** with hardened and tempered finish protects against outside electrical interference

Quick and easy installation with a **four-chamber wire manager**, available with T568A, T568B or PROFINET colour codes

High transmission reserves due to **full metal shielding** between the pairs of wires.

Compatible with a wide range of conductor diameter thanks to proven **IPC contacts**.

Key components of all MFP8 variants such as the wire manager are identical to make life as easy as possible for the user. All the connectors have the same key characteristics such as 360° shielding, robust zinc-die-cast housing and long release latch, all of which are hallmarks of the MFP8 series and are identical in all variants.

The sophistication is in the details – it's the little things that make a big difference and make the MFP8 so universal.

Technical data for the whole family:

- category 6A as specified by ISO/IEC 11801
- connector as specified by IEC 60603-7-51
- life ≥ 750 mating cycles
- contact finish material: Ni1.2Au0.8
- shielded housing material: Nickel-plated zinc die-cast
- Cu conductor diameter:
 - solid 0.51 – 0.64 mm (AWG24/1 – 22/1)
 - stranded 0.46 – 0.76 mm (AWG27/7 – 22/7)
 - stranded 0.61 – 0.78 mm (AWG24/19 – 22/19)*
 - core diameter: 1.0 – 1.6 mm
- Cu conductor diameter:
 - solid 0.41 – 0.51 mm (AWG26/1 – 24/1)
 - stranded 0.46 – 0.61 mm (AWG27/7 – 24/7)
 - stranded 0.51 (AWG26/19)*
 - core diameter: 0.85 – 1.1 mm
- reusable IPC: ≤ 4 cycles
- temperature range: -40°C to 85°C
- 4 Pair Power over Ethernet (4PPoE) according to IEEE 802.3at
- IP20; UL listed

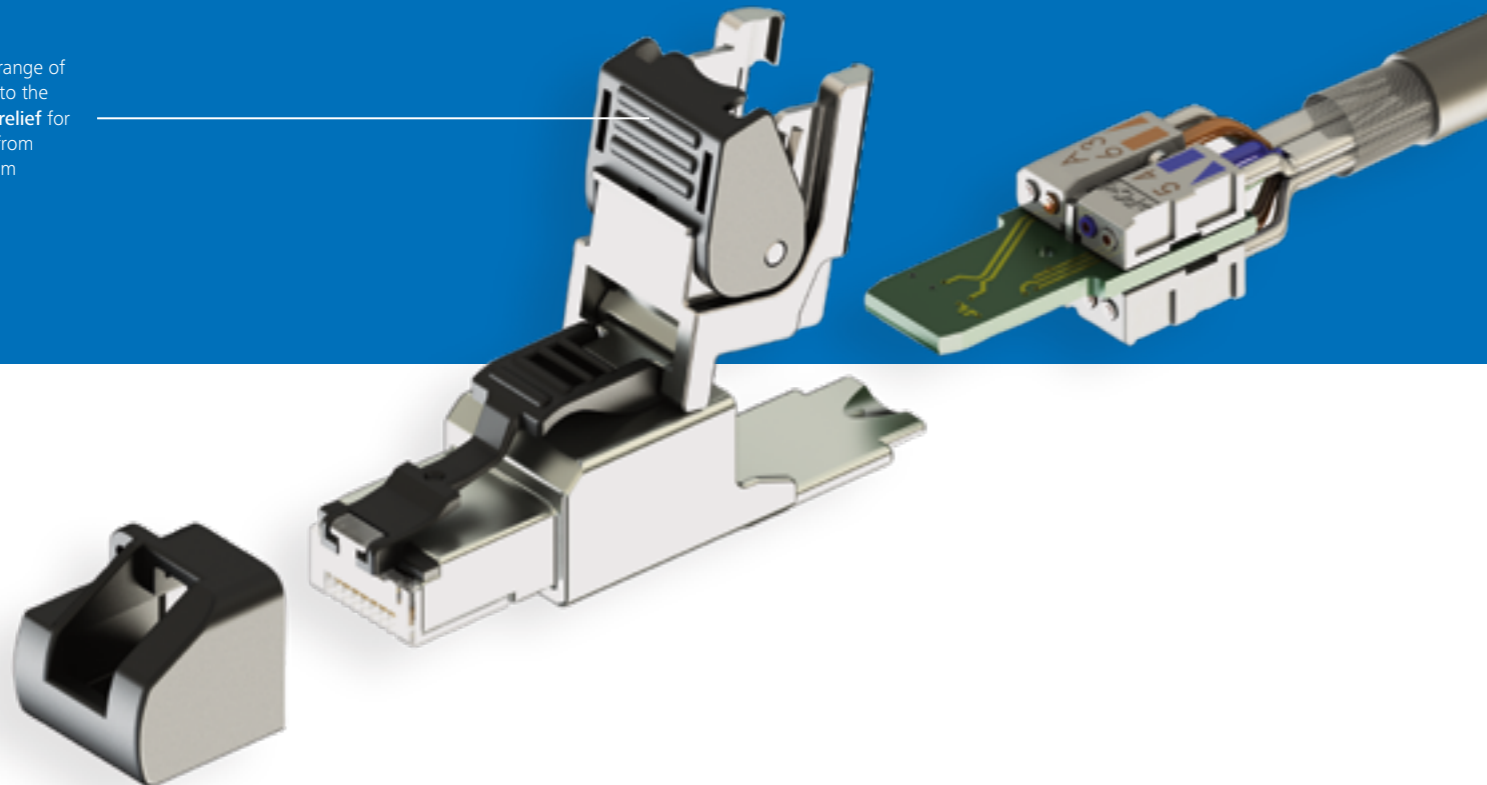
*The cable needs to be approved by Telegärtner Karl Gärtner GmbH

All MFP8 wire managers are compatible with all MFP8 housings.

MFP8 wire managers	Article no.	Name	Description
	100020632	CU-Acc wiremgr MFP8 C6A D1-1.6 T568A	MFP8 wire managers T568A for AWG24/1-AWG22/1, AWG27/7-AWG22/7
	100020633	CU-Acc wiremgr MFP8 C6A D1-1.6 T568B	MFP8 wire managers T568B for AWG24/1-AWG22/1, AWG27/7-AWG22/7
	100020634	CU-Acc wiremgr MFP8 D1-1.6 PNO	MFP8 wire managers PROFINET for AWG24/1-AWG22/1, AWG27/7-AWG22/7
	100020636	CU-Acc wiremgr MFP8 C6A D.85-1.1 T568A	MFP8 wire managers T568A for AWG26/1-AWG24/1, AWG27/7-AWG24/7
	100020635	CU-Acc wiremgr MFP8 C6A D.85-1.1 T568B	MFP8 wire managers T568B for AWG26/1-AWG24/1, AWG27/7-AWG24/7

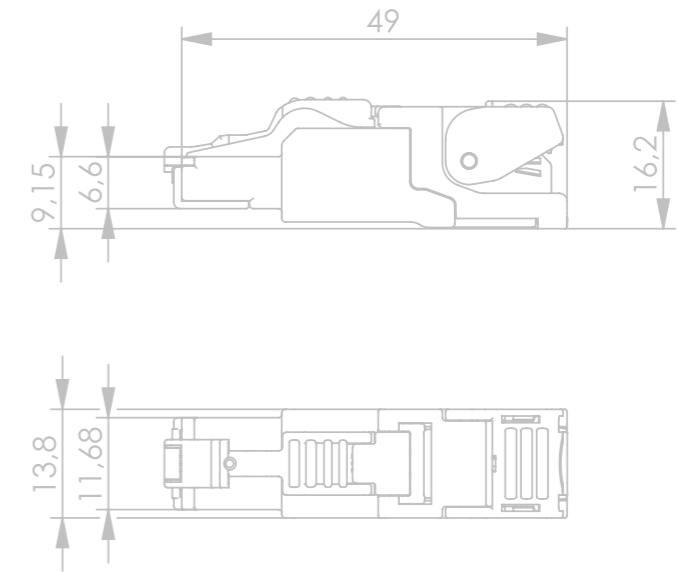
THE CLASSIC – MFP8 CAT.6_A

Useful in a wide range of applications due to the **four-step cable relief** for cable diameters from 5.0 mm to 9.0 mm



MFP8

- proven for years
- IPC contacts for reliable connections with solid and stranded conductors
- can be assembled to all conventional cable types in just 60 seconds
- no special tool required
- the slender design and extra-long release latch deliver unparalleled port densities
- data rates of up to 10 Gbit/s
- ideal for networks in offices and flats and distributed building services



Order information

Article no.	Name	Description
MFP8 Cat.6_A for AWG24-22/1; AWG27-22/7		
100023037	CU-CN MFP8 T568A C6A D1-1.6	MFP8 T568A Cat.6 _A incl. pre-assembled protection cap AWG24/1-22/1, AWG27/7-22/7
100023038	CU-CN MFP8 T568B C6A D1-1.6	MFP8 T568B Cat.6 _A incl. pre-assembled protection cap AWG24/1-22/1, AWG27/7-22/7
MFP8 Cat.6_A for AWG26-24/1; AWG27-24/7		
100023041	CU-CN MFP8 T568A C6A D.85-1.1	MFP8 T568A Cat.6 _A incl. pre-assembled protection cap AWG26/1-24/1, AWG27/7-24/7
100023040	CU-CN MFP8 T568B C6A D.85-1.1	MFP8 T568B Cat.6 _A incl. pre-assembled protection cap AWG26/1-24/1, AWG27/7-24/7
MFP8 for PROFINET		
100023039	CU-CN MFP8 PNO D1-1.6	MFP8 PROFINET incl. pre-assembled protection cap AWG24-22/1, AWG27-22/7

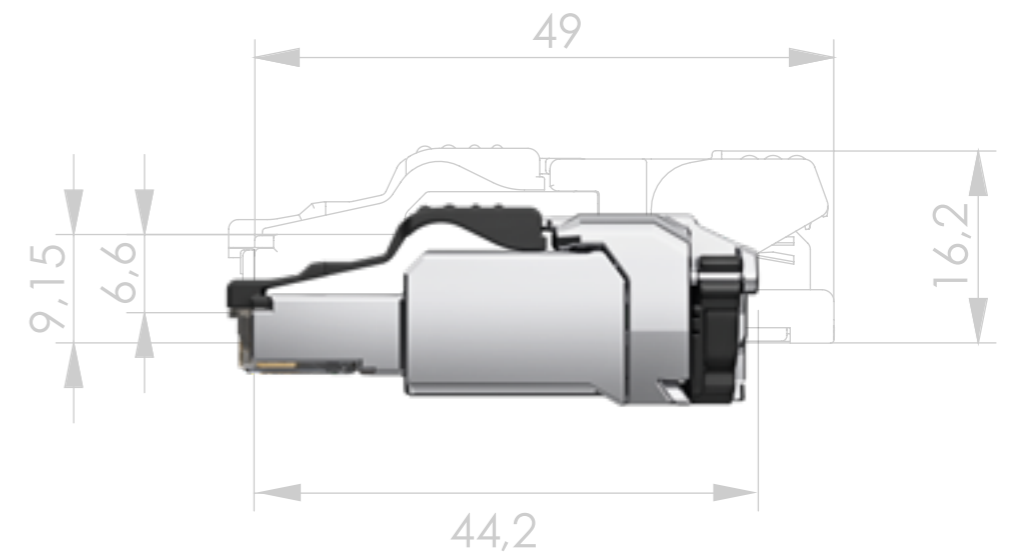
THE SHORT ONE — MFP8-SL CAT.6_A

Reduced mechanical stress thanks to the **fine-graded cable strain relief** which can be adjusted to various cable diameters up to 9 mm. Small barbs hold the cable sheath in place for increased cable strain relief.

Reliable data transmission even with outside electrical interference due to **360° shielding**

MFP8-SL

- all of the advantages of the proven MFP8 in a more compact design
- just 44 mm long
- integrated cable strain relief and cable shield connection
- the housing locks together securely in a single motion
- ideal for applications where space is at a premium such as the protective housing of IP cameras
- connects directly to Wi-Fi access points on the wall and ceiling
- in distributors with exceptionally high port densities



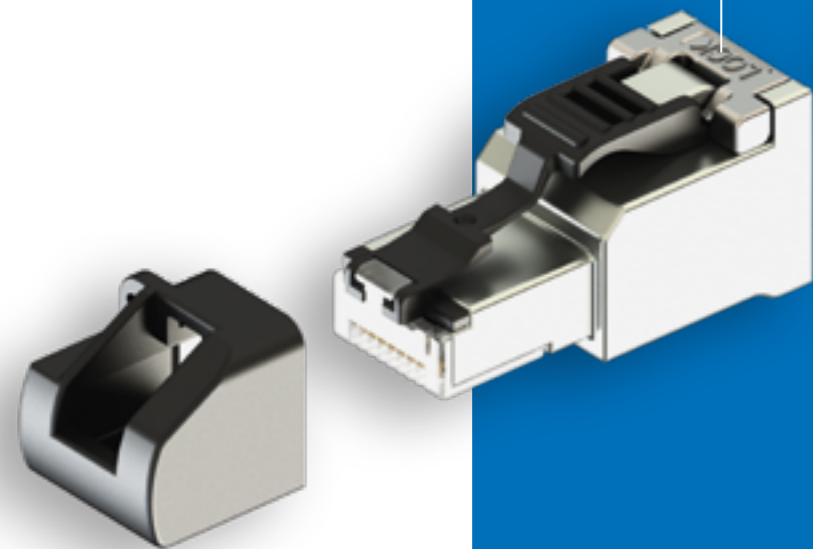
Order information

Article no.	Name	Description
MFP8-SL Cat.6_A for AWG24-22/1; AWG27-22/7		
100035951	CU-CN MFP8-SL T568A C6A D1-1.6	MFP8-SL T568A Cat.6 _A incl. pre-assembled protection cap AWG24/1-22/1, AWG27/7-22/7
100039916	CU-CN MFP8-SL T568B C6A D1-1.6	MFP8-SL T568B Cat.6 _A incl. pre-assembled protection cap AWG24/1-22/1, AWG27/7-22/7
MFP8-SL Cat.6_A for AWG26-24/1; AWG27-24/7		
100039918	CU-CN MFP8-SL T568A C6A D.85-1.1	MFP8-SL T568A Cat.6 _A incl. pre-assembled protection cap AWG26/1-24/1, AWG27/7-24/7
100039917	CU-CN MFP8-SL T568B C6A D.85-1.1	MFP8-SL T568B Cat.6 _A incl. pre-assembled protection cap AWG26/1-24/1, AWG27/7-24/7
MFP8-SL for Profinet		
100040203	CU-CN MFP8-SL PNO D1-1.6	MFP8-SL PROFINET incl. pre-assembled protection cap AWG24-22/1, AWG27-22/7

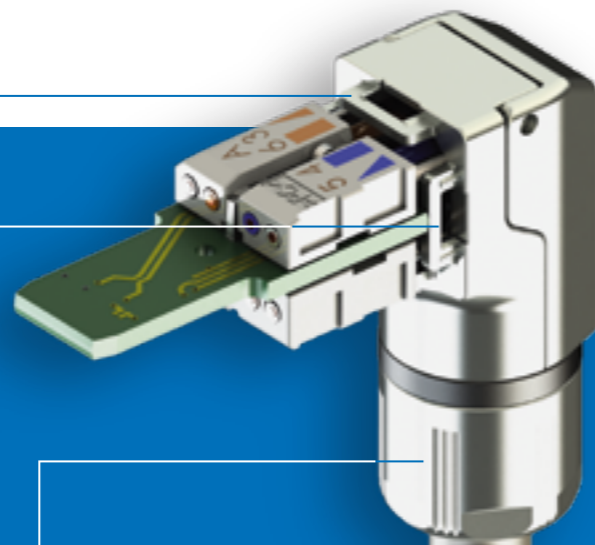
THE FLEXIBLE ONE – MFP8-4X90 CAT.6_A



Compact and flexible as **all four cable directions at right angles** can be unlocked and adjusted even after installation.



Reliable cable strain relief from the **metal screw and clamp connection** for cable diameters from 5.5 mm to 10.0 mm.



Order information

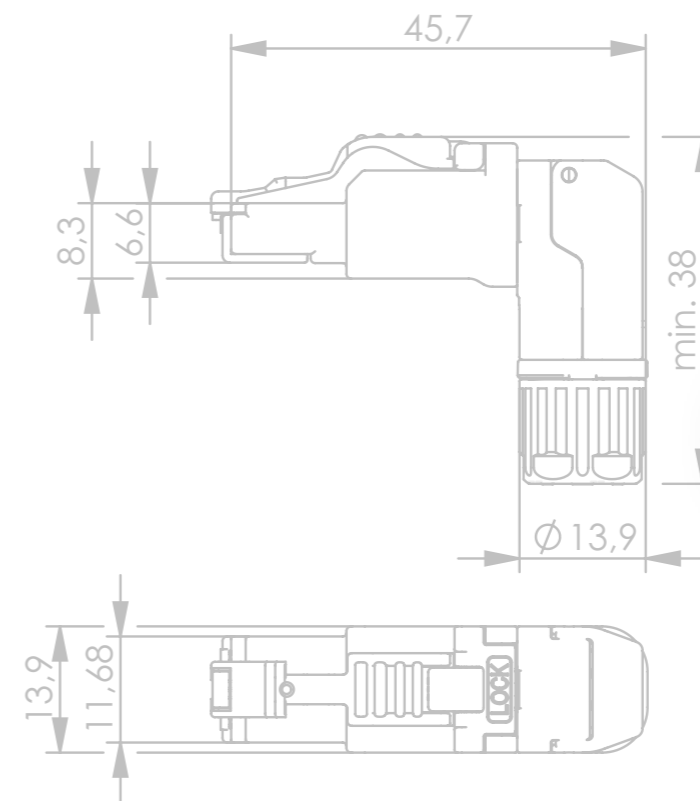
Article no.	Name	Description
MFP8-4x90 Cat.6_A for AWG24-22/1; AWG27-22/7		
100023061	CU_CN MFP8-4x90 T568A C6A D1-1.6	MFP8-4x90 T568A Cat.6 _A incl. pre-assembled protection cap for AWG24/1-22/1, AWG27/7-22/7
100023062	CU_CN MFP8-4x90 T568B C6A D1-1.6	MFP8-4x90 T568B Cat.6 _A incl. pre-assembled protection cap for AWG24/1-22/1, AWG27/7-22/7
MFP8-4x90 Cat.6_A for AWG26-24/1; AWG27-24/7		
100023065	CU-CN MFP8-4x90 T568A C6A D.85-1.1	MFP8-4x90 T568A Cat.6 _A incl. pre-assembled protection cap AWG26/1-24/1, AWG27/7-24/7
100023064	CU-CN MFP8-4x90 T568B C6A D.85-1.1	MFP8-4x90 T568B Cat.6 _A incl. pre-assembled protection cap AWG26/1-24/1, AWG27/7-24/7
MFP8-4x90 for PROFINET		
100023063	CU-CN MFP8-4x90 PNO D1-1.6	MFP8-4x90 PROFINET incl. pre-assembled protection cap AWG24-AWG22/1, AWG27-AWG22/7

MFP8-4x90

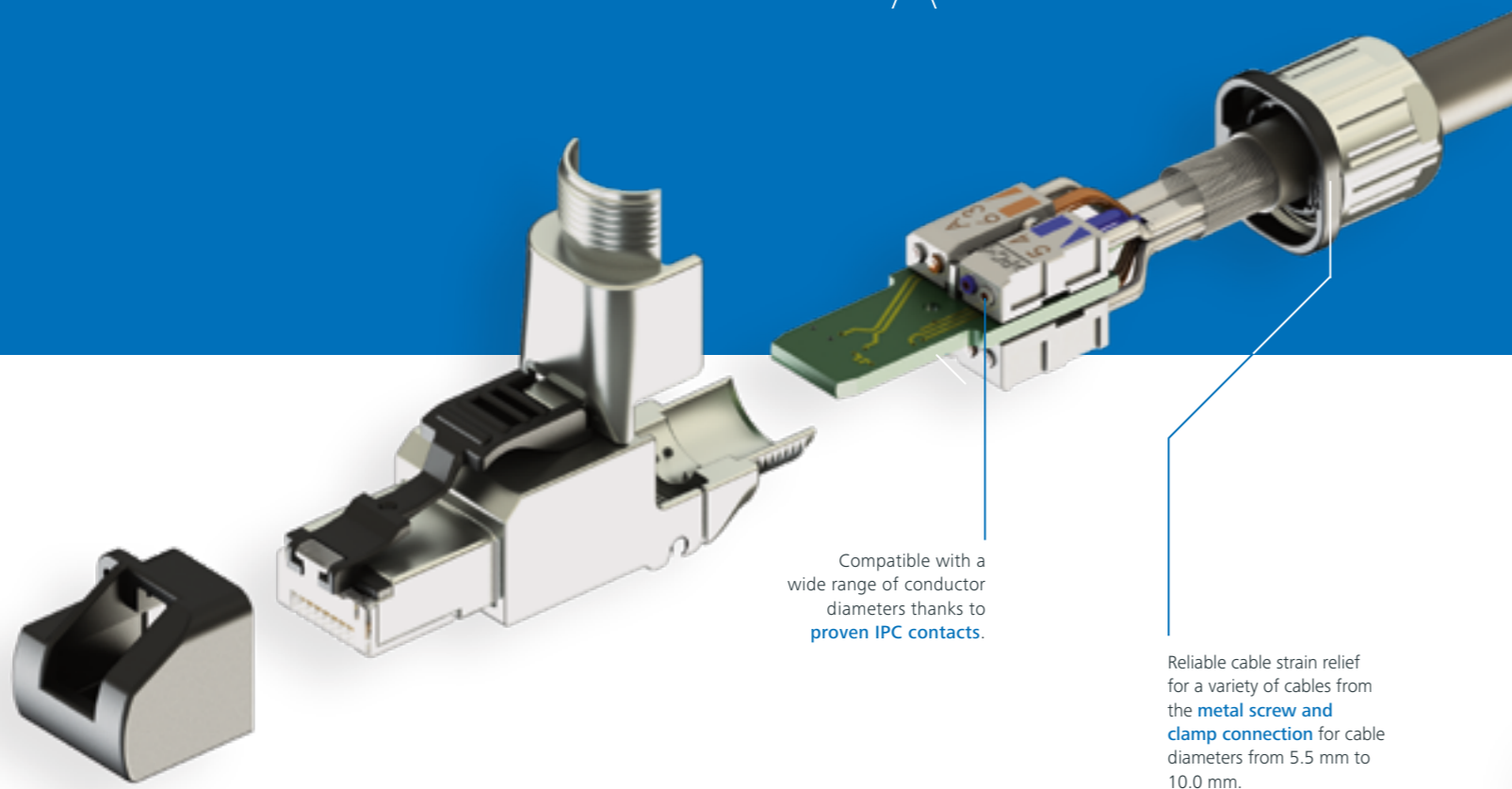
- right-angled cable outlet for connecting of devices with specific cable outlet
- 90° cable outlet freely selectable in four directions
- cable outlet direction must be determined on site during installation

MFP8-4x90 Cat.6_A technical data:

- fully adjustable cable feed (4x90°)
- cable outer diameter: 5.5 – 10.0 mm
- cable strain relief: SW13

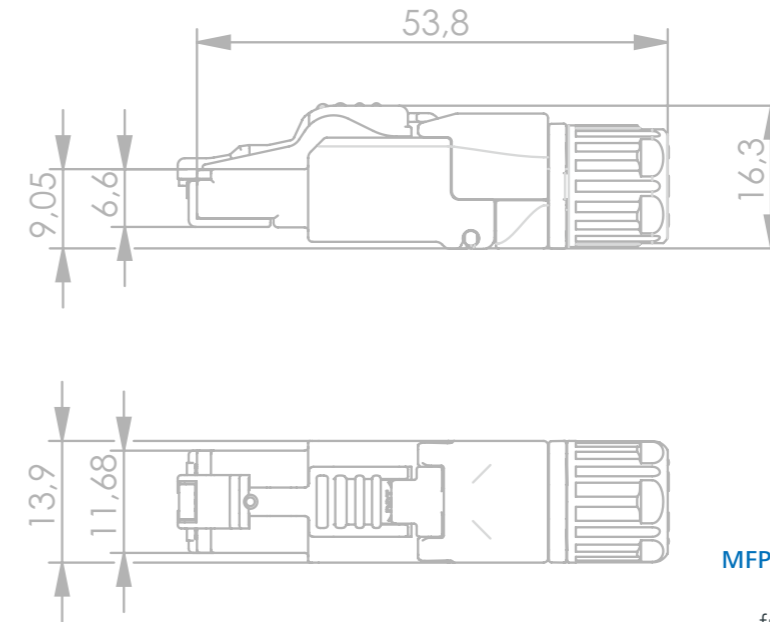


THE INDUSTRIAL ONE – MFP8 IE CAT.6_A



Compatible with a wide range of conductor diameters thanks to proven IPC contacts.

Reliable cable strain relief for a variety of cables from the metal screw and clamp connection for cable diameters from 5.5 mm to 10.0 mm.



MFP8 IE

- full metal housing with 360° shielding for secure and reliable data transmission in electromagnetic environments
- heavy-duty screwed cable outlet
- for cables with outer diameters of up to 10 mm
- compatible with solid and stranded conductors
- ideal for industrial applications such as PROFINET, Ethernet, EtherCAT, EtherNet/IP, CC-Link and many more



MFP8 IE Cat.6_A technical data:

- cable outer diameter: 5.5 – 10.0 mm
- cable strain relief: SW13

MFP8 Cat.8.1

The highest data rates demand complete reliability. The MFP8 Cat. 8.1 was one of the first RJ45 connectors in the world to exceed the enormous requirements of Category 8.1 according to ISO/IEC.

- compatible with 40 Gigabit Ethernet
- compatible with Four-Pair Power over Ethernet (4PPoE) according to IEEE 802.3bt
- ideal for data centres, server rooms, telecommunication rooms and demanding multimedia networks

Article no.	Name	Description
MFP8 IE Cat.8.1 for AWG24-22/1; AWG27-22/7		
100023089	CU-CN MFP8 IE T568B C8.1 D1-1.6	MFP8 T568B Cat.8.1 with pre-assembled dust protection cap AWG24/1-22/1, AWG27/7-22/7
100023090	CU-CN MFP8 IE T568B C8.1 D.85-1.1	MFP8 IE T568B Cat.8.1 with pre-assembled dust protection cap AWG26/1-24/1, AWG27/7-24/7

Order information

Article no.	Name	Description
MFP8 IE Cat.6_A for AWG24-22/1; AWG27-22/7		
100023084	CU-CN MFP8 IE T568A C6A D1-1.6	MFP8 IE T568A Cat.6 _A incl. pre-assembled protection cap AWG24/1-AWG22/1, AWG27/7-AWG22/7
100023085	CU-CN MFP8 IE T568B C6A D1-1.6	MFP8 IE T568B Cat.6 _A incl. pre-assembled protection cap AWG24/1-AWG22/1, AWG27/7-AWG22/7
MFP8 IE Cat.6_A for AWG26-24/1; AWG27-24/7		
100023088	CU-CN MFP8 IE T568A C6A D.85-1.1	MFP8 IE T568A Cat.6 _A incl. pre-assembled protection cap AWG26/1-AWG24/1, AWG27/7-AWG24/7
100023087	CU-CN MFP8 IE T568B C6A D.85-1.1	MFP8 IE T568B Cat.6 _A incl. pre-assembled protection cap AWG26/1-AWG24/1, AWG27/7-AWG24/8
MFP8 IE Cat.6_A for PROFINET		
100023086	CU-CN MFP8 IE PNO D1-1.6	MFP8 IE PROFINET incl. pre-assembled protection cap AWG24-AWG22/1, AWG27-AWG22/7



Telegärtner
Karl Gärtner GmbH

Lerchenstr. 35
D-71144 Steinenbronn
Germany

Tel. +49 71 57/1 25-0
Fax +49 71 57/1 25-5120

info@telegaertner.com
www.telegaertner.com

Your retailer: